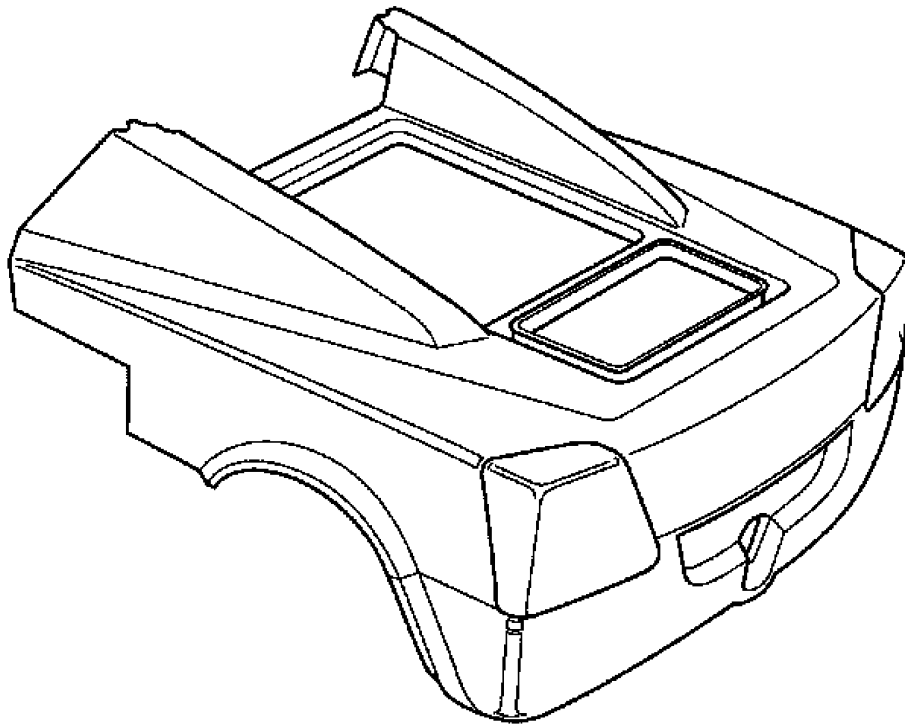


Rear Clamshell

The rear clamshell is a single unit and is attached to the chassis frame and the rear sub-frame by means of bolts.



T 8963